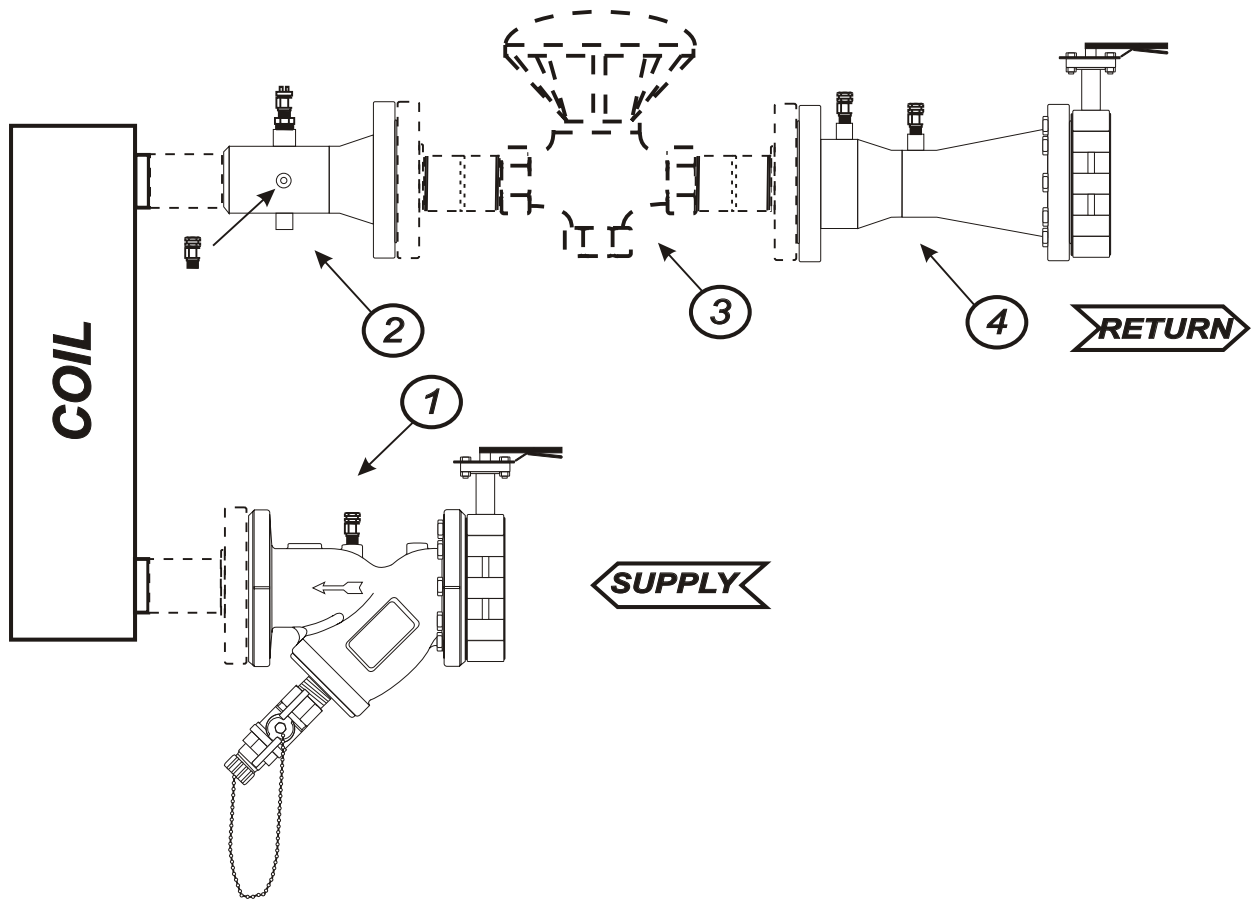


TYPICAL 2-WAY A.H.U. DETAIL - RETURN SIDE THREADED A.T.C.

Note: Detail shown as plain view and is not to scale.



SPECIFICATIONS

1. **Terminator S** - Integrated cast iron ANSI 125/150 lb class lugged type butterfly shutoff valve with positioning handle, 416 stainless steel stem, bronze bearing with EPDM seats. Cast iron ANSI 125lb class strainer body with 304 stainless steel screen, 1/4" pressure temperature readout port and (2) accessory ports. Equipped with optional 3/4" ball valve drain/blow down with 3/4" hose end connection & cap.
2. **Terminator U** - Forged steel 125/150lb ANSI class flange to connection (welded or grooved) with 1/4" pressure temperature readout port and (2) accessory ports. Equipped with optional coin operated manual air vent.
3. **2-WAY CONTROL VALVE, FLANGES, PIPING, DIELECTRIC NIPPLES** - Furnished and piped by others.
4. **Terminator B** - Integrated cast iron ANSI 125/150 lb class lugged type butterfly shutoff valve with positioning handle, 416 stainless steel stem, bronze bearing with EPDM seats. ANSI 125/150 flanged carbon steel metering station body with (2) 1/4" pressure temperature readout ports. Metering stations combine rangeability with lower permanent pressure loss. Accurate to +or- 1%.

NOTE:

Items 1, 2, & 4 to be supplied to the job-site as prepackaged components bagged or boxed and tagged per terminal unit. Specification information on individual components within the package available upon request. Detail shown as plain view and is not to scale. Actual piping and connections may vary to accommodate the attached depending on the size & configuration. Additional flanges, reducing components or fittings may be needed.

JOB: _____ ENGINEER: _____ DWG NO: 2SUB001
 REP: _____ CONTRACTOR: _____ DRAWN BY: MAW
 DATE: 8-21-01