



The **H100/NE** by **HCI** is a 100% full port ball valve for use in complementing the **Terminator System** product line where integrated accessory features are not required. Like all **Terminator System** valves the **H100/NE** boasts a state of the art forged brass body and TEA coated solid brass ball, Hostafion TFM-1600 packing and seats which insures reliable, leak-free performance.

The **H100/NE** also features the "triple sealed stem". Utilizing Hostafion TFM-1600 packing gland and two Viton O-rings stem seals this valve ensures the most reliable and high cycle-life stem available anywhere. The **H100/NE** is the perfect compliment to the incredibly high standard set forth by all the other **Terminator System** products. Approvals: UL Listed VQGU, MHKZ, YQNZ, YRBX, YRPV, YSDT & UL 842, FM approval, NSF 61-8 Certified, Delta C and CSA Certified.

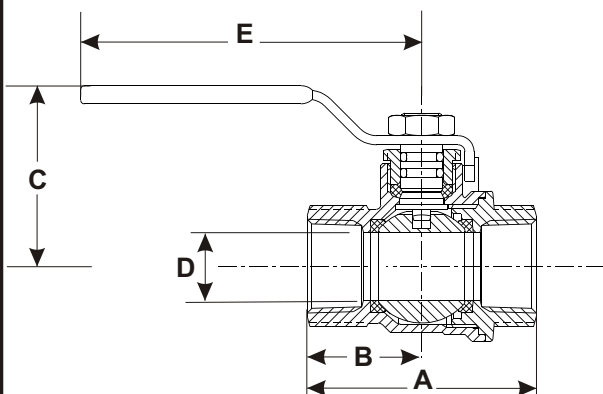
### Pressure/ Temperature Ratings:

1/2" - 3/4": 600 PSI WOG Non - Shock  
 1" - 2": 500 PSI WOG Non - Shock  
 2-1/2" - 4": 400 PSI WOG Non - Shock  
 All Sizes: 366 Deg. F. Maximum

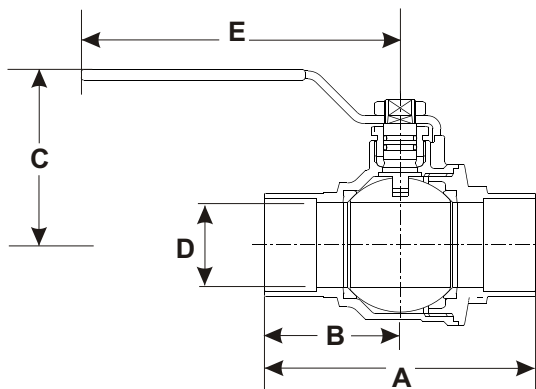
### Optional Accessories:

- Handle Extension - Memory Stop - Red Aluminum T-Handle  
 - Stainless Steel Round Handle - Flexible Hose Connectors

### Dimensional Information & Material Specifications:



\*INDICATES CxC MODEL



← Direction of Flow →

| Model #   | Size   | A    | B    | C    | D    | E    | Cv*    |
|-----------|--------|------|------|------|------|------|--------|
| H100-703  | 1/2"   | 2.48 | 1.24 | 1.53 | 0.59 | 2.95 | 20.25  |
| *H100-803 | 1/2"   | 2.48 | 1.24 | 1.53 | 0.59 | 2.95 | 20.25  |
| H100-704  | 3/4"   | 2.71 | 1.36 | 1.93 | 0.79 | 3.74 | 41.83  |
| *H100-804 | 3/4"   | 3.26 | 1.63 | 1.88 | 0.79 | 3.74 | 41.83  |
| H100-705  | 1"     | 3.30 | 1.65 | 2.40 | 1.00 | 4.72 | 78.38  |
| *H100-805 | 1"     | 3.93 | 1.97 | 2.36 | 1.00 | 4.72 | 78.38  |
| H100-706  | 1-1/4" | 3.78 | 1.89 | 2.59 | 1.25 | 4.72 | 132.10 |
| *H100-806 | 1-1/4" | 4.44 | 2.22 | 2.59 | 1.26 | 4.72 | 132.10 |
| H100-707  | 1-1/2" | 4.17 | 2.09 | 3.22 | 1.57 | 5.90 | 206.96 |
| *H100-807 | 1-1/2" | 5.07 | 2.54 | 3.22 | 1.57 | 5.90 | 206.96 |
| H100-708  | 2"     | 5.00 | 2.50 | 3.50 | 2.00 | 5.90 | 346.00 |
| *H100-808 | 2"     | 6.22 | 3.11 | 3.50 | 2.00 | 5.90 | 346.00 |
| H100-709  | 2-1/2" | 6.06 | 3.03 | 4.72 | 2.48 | 7.87 | 484.39 |
| *H100-809 | 2-1/2" | 7.28 | 3.64 | 4.52 | 2.48 | 7.87 | 484.39 |
| H100-710  | 3"     | 7.08 | 3.54 | 5.31 | 2.99 | 7.87 | 638.50 |
| *H100-810 | 3"     | 8.46 | 4.23 | 4.52 | 2.99 | 7.87 | 638.50 |
| H100-711  | 4"     | 8.66 | 4.33 | 5.90 | 3.93 | 9.84 | 1092.0 |

**Note:** The Cv factor is the flow rate, in GPM through the valve at a 1 PSID.

|                  |                                  |
|------------------|----------------------------------|
| Valve Body:      | Hot Forged Brass                 |
| Ball:            | TEA Coated Brass Ball            |
| Stem:            | Extruded Brass                   |
| Gland Nut:       | Extruded Brass                   |
| Lever Handle:    | Dacromet Coated Steel w/PVC Grip |
| Lever Nut:       | Dacromet Coated Steel            |
| Seats & Packing: | Hostafion TFM 1600               |
| O-Rings:         | Viton                            |

### Connection Availability:

|           |                         |
|-----------|-------------------------|
| Body End: | Female NPT 1/2" thru 4" |
|           | Copper SWT 1/2" thru 3" |

### Typical Specifications:

Furnish and install where indicated on plans **H100/FN** ball valves as provided by **Hydronic Components, Inc.** Valves shall be rated for 600 PSI WOG 1/2" - 3/4", 500 PSI WOG 1" - 2" and 400 PSI WOG 2-1/2"-4". Valves shall be provided complete with 100% port isolation valve TEA coated brass ball and repackable blowout-proof triple seal stem.

JOB: \_\_\_\_\_ ENGINEER: \_\_\_\_\_  
 REP: \_\_\_\_\_ CONTRACTOR: \_\_\_\_\_