

HCI PT Port / Accessory Extension

MECHANICAL
SPECIFICATIONS



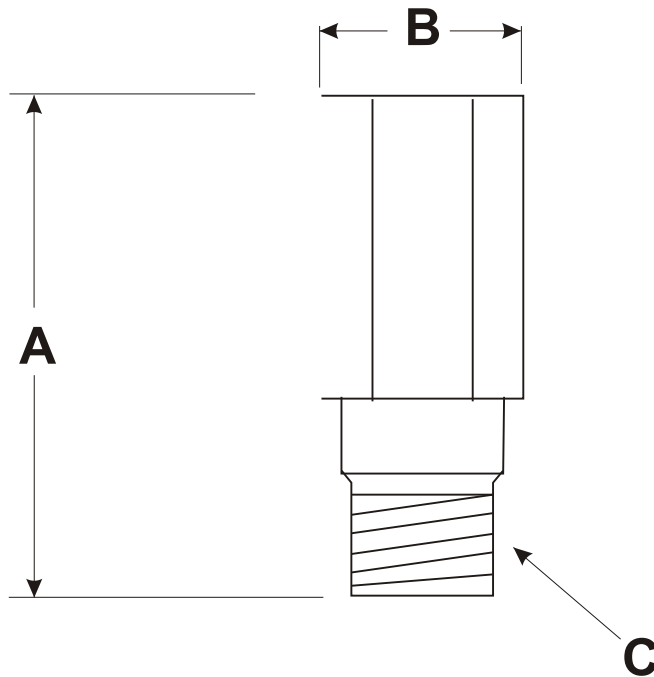
This extruded brass 1-3/4" long by 1/4" NPT Male x Female fitting accessory extension insures stable operation of accessories to allow for insulation.

Options:

Can be used with air vents, drains, pressure/temperature ports and schraders.

Dimensional Information & Material Specifications:

Model #	A	B	C
SX-A	1.748	.626	1/4" NPT
Body:	Extruded Brass		



Typical Specifications:

Furnish and install where indicated on plans **SX-A** extruded brass accessory extensions as provided by **Hydronic Components, Inc.**

JOB: _____ ENGINEER: _____

REP: _____ CONTRACTOR: _____

HCI

innovative hydronic components and accessories for the HVAC industry.

7243 Miller Drive - Suite 200 - Warren, MI 48092

Phone: 1-800-313-HVAC

Fax: 1-866-340-0991

HCI-02/2-08

This specification is provided for reference only. HCI reserves the right to change any portion of this specification without notice and without incurring obligation to make such changes to HCI products previously and subsequently sold.