



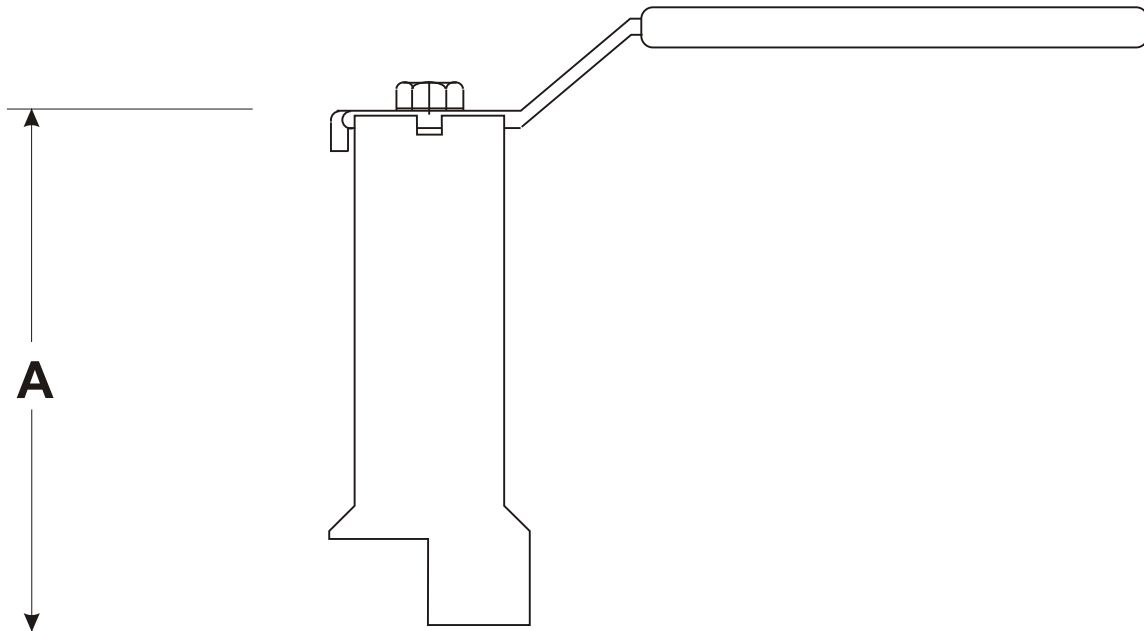
This 2" handle extension insures stable operation of valve while extending handle to allow for insulation.

Note:

Can not be used in conjunction with ball valve memory stop.

Dimensional Information & Material Specifications:

Model #	A
TX-Series	2.0
Body:	Nickel plated forged brass
Stem:	Forged Brass
Screw:	Dacromet coated steel



Typical Specifications:

Furnish and install where indicated on plans **TX-Series** nickel plated brass handle extensions as provided by **Hydronic Components, Inc.**

JOB: _____ ENGINEER: _____
REP: _____ CONTRACTOR: _____