



This manual vent is machined from solid brass bar stock and finished with heavy nickel plating to provide greater corrosion resistance. With 1/8" MNPT or 1/4" MNPT threads, it installs directly into standard fittings and valves. The stem is slotted to accept a screwdriver or a coin.

**Pressure/ Temperature Ratings:**

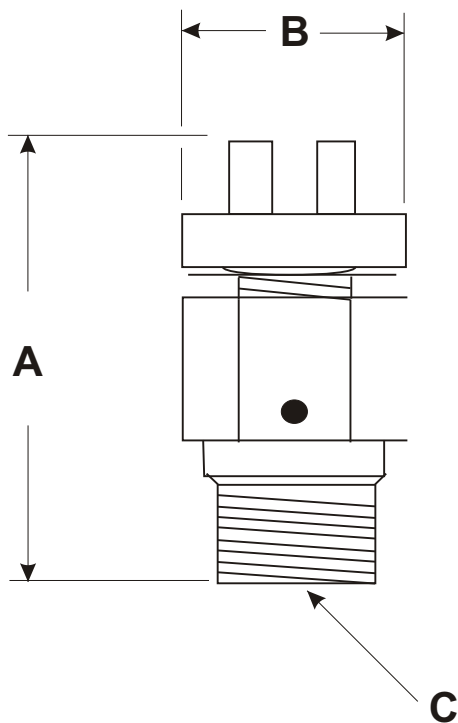
125 PSI / 250 Deg.

**Notes:**

Operator care should be taken when venting as not to spill caustic or hot fluids on operator. Eye protection must be worn during any servicing.

**Dimensional Information & Material Specifications:**

Model #	A	B	C
TV-A	.839	.431	1/8" NPT
TV-A1	.839	.431	1/4" NPT



**Typical Specifications:**

Furnish and install where indicated on plans **TV-A (Series)** nickel plated brass coin operated manual air vents as provided by **Hydronic Components, Inc.** on all return piping to be used during servicing of coil components where air may have accumulated in the coil itself.

JOB: \_\_\_\_\_ ENGINEER: \_\_\_\_\_  
 REP: \_\_\_\_\_ CONTRACTOR: \_\_\_\_\_