

HCi Mini Drain or Blowdown T-82/83 MINI BALL VALVE

MECHANICAL SPECIFICATIONS



These Mini Drain and Blowdown ball valves by **HCi** are specifically designed for commercial and industrial applications for use in complementing the **Terminator System** product line. Like all **Terminator System** valves these components boast a state of the art hot forged brass body and hard chrome plated brass ball which insures reliable, leak-free performance.

Featuring the "triple sealed stem" which utilizes a virgin PTFE gland packing and two Viton O-ring stem seals this valve ensures the most reliable and high cycle-life stem available anywhere. Using these valves in your system is the perfect compliment to the incredibly high standard set forth by all the other **Terminator System** products.

Pressure/ Temperature Ratings:

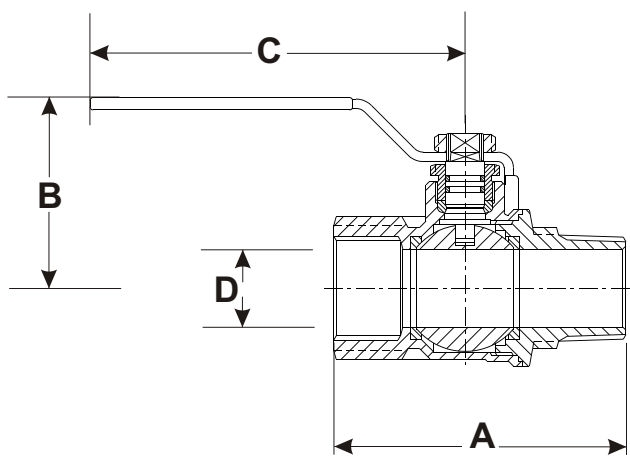
All Sizes: 600 PSI WOG Non - Shock
All Sizes: 300 Deg. F. Maximum

Optional Accessories:

Brass 1/4" NPT x 1/4" Hose barb adaptor

Dimensional Information & Material Specifications:

Model #	Size	A	B	C	D
H100-298	1/4" FIP x 1/8" MIP	1.08	1.01	1.55	0.31
H100-299	1/4" FIP x 1/4" MIP	2.00	1.01	1.55	0.31
H100-300	1/4" FIP x 1/4" FIP	1.55	1.01	1.55	0.31
H100-398	1/4" FIP x 1/8" MIP	1.08	1.01	1.55	0.31
H100-399	1/4" FIP x 1/4" MIP	2.00	1.01	1.55	0.31



Valve Body:	Hot Forged Brass
Ball:	Chrome Plated/Hot Forged Brass
Stem:	Extruded Brass
Lever Handle:	Dacromet Coated Steel w/PVC Grip
Lever Screw:	Dacromet Coated Steel
Seats & Packing:	Virgin PTFE
O-Rings:	Viton



Typical Specifications:

Furnish and install where indicated on plans **mini drain and blowdown ball valves** as provided by **Hydronic Components, Inc.** Valves shall be rated for 600 PSI WOG service. Valves shall be provided complete with chrome plated ball and repackable blowout-proof triple seal stem.

JOB: _____ ENGINEER: _____
REP: _____ CONTRACTOR: _____

HCi

innovative hydronic components and accessories for the HVAC industry.
7243 Miller Drive - Suite 200 - Warren, MI 48092 Phone: 1-800-313-HVAC Fax: 1-866-340-0991

HCi-08/2-08