



These male and female boiler drains are constructed of heavy brass with a cast iron hand wheel and stuffing box. Gland packing is asbestos free graphite and the seat is rubber. 3/4" hose thread outlet. 1/2" Male boiler drain has combination 1/2" M.I.P. And 1/2" C x C inlet connection. Pipe threads comply with ANSI B1.20.1, hose threads ANSI B2.4, and solder inlet B16.18.

Pressure Ratings:

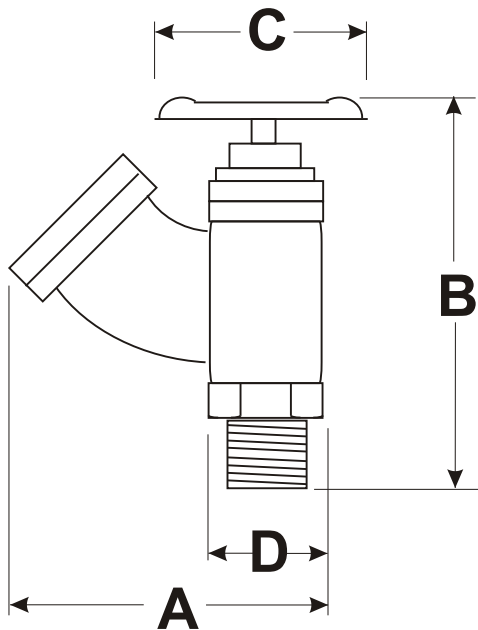
125 PSI WOG

Optional Accessories:

Brass hose cap and washer

Dimensional Information & Material Specifications:

Model #	Size	A	B	C	D
H201-003	1/2"	1.576	3.743	2.128	1.084
H201-103	1/2"	1.576	3.507	2.128	1.084
H201-004	3/4"	1.576	3.861	2.128	1.084
H201-104	3/4"	1.576	3.625	2.128	1.084



Body:	Brass
Handle:	Black malleable iron
Seat:	Rubber
Gland Packing:	Abestos free graphite

Typical Specifications:

Furnish and install where indicated on plans **Boiler Drains** as provided by **Hydronic Components, Inc.** Valves shall be constructed of brass with cast iron hand wheel and stuffing box. Gland packing must be asbestos free graphite with rubber. Pipe threads must comply with ANSI B1.20.1, hose threads ANSI B2.4 and solder inlet B16.18.

JOB: _____ ENGINEER: _____
 REP: _____ CONTRACTOR: _____