

Hci "New" Terminator

INTEGRATED 100% PORT
BALL VALVE/UNION/READOUT PORT

MECHANICAL
SPECIFICATIONS



The **Terminator** by **Hci** combines the features of an isolation valve, union, and pressure/temperature readout port into a single unit. The full port design of the **Terminator** is favored by engineers because it minimizes terminal unit piping pressure drop, and the forged brass body insures reliable, leak-free performance.

The **Terminator** greatly simplifies the contractor's job by eliminating up to nine piping connections, thus saving time, money, and potential leak points. Finally, the **Terminator** requires only one third the space of the components it replaces, making tough piping jobs a snap.

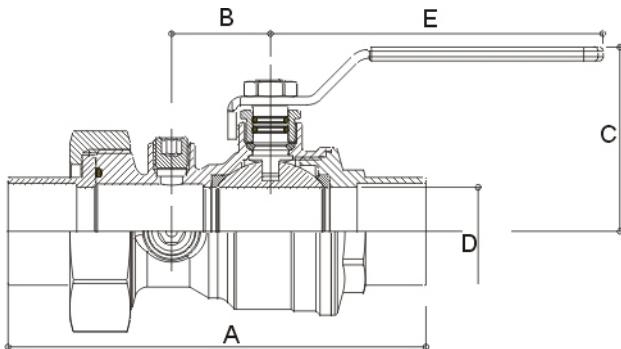
Pressure/ Temperature Ratings:

1/2" - 3/4": 600 PSI WOG Non - Shock
1" - 2": 500 PSI WOG Non - Shock
All Sizes: 300 Deg. F. Maximum

Optional Accessories:

- Drain Valve - Handle Extension - Air Vent - Memory Stop
- PT/Port Accessory/Extension - Red Aluminum T-Handle
- Stainless Steel Round Handle - Flexible Hose Connectors

Dimensional Information & Material Specifications:



Model #	Size	A	B	C	D	E	Cv*
NT-AFF	1/2"	4.07	1.26	1.53	0.59	2.95	20.25
NT-ACC	1/2"	4.13	1.26	1.53	0.59	2.95	20.25
NT-BFF	3/4"	4.35	1.26	1.93	0.79	3.74	41.83
NT-BCC	3/4"	4.80	1.26	1.93	0.79	3.74	41.83
NT-CFF	1"	5.00	1.42	2.40	1.00	4.73	78.38
NT-CCC	1"	5.45	1.42	2.40	1.00	4.73	78.38
NT-DFE	1-1/4"	5.42	1.42	2.59	1.25	4.72	132.10
NT-DCC	1-1/4"	5.98	1.42	2.59	1.25	4.72	132.10
NT-EFF	1-1/2"	6.16	1.73	3.22	1.57	4.72	206.96
NT-ECC	1-1/2"	7.03	1.73	3.22	1.57	4.72	206.96
NT-FFF	2"	6.79	1.73	3.50	2.00	5.90	346.00
NT-FCC	2"	7.93	1.73	3.50	2.00	5.90	346.00

Note: The Cv factor is the flow rate, in GPM through the valve at a 1 PSID.

Connection Availability:

Body End:	Female NPT	1/2" thru 2"
	Copper SWT	1/2" thru 2"
Tailpiece End:	Female NPT	1/2" thru 2"
	Male NPT	1/2" thru 2"
	Copper SWT	1/2" thru 2"
Tailpiece End	Female NPT	3/4" thru 2"
W/One Size	Male NPT	3/4" thru 2"
Reduction:	Copper SWT	3/4" thru 2"
Tailpiece End	Female NPT	1" thru 2"
W/Two Size	Male NPT	1" thru 2"
Reductions:	Copper SWT	1" thru 2"

Valve Body:	Hot Forged Brass
Ball:	Chrome Plated/Hot Forged Brass
Stem:	Extruded Brass
Union:	Hot Forged Brass
Tailpiece:	Hot Forged Brass
Readout Port Body & Cap:	Extruded Brass
Gland Nut:	Extruded Brass
Lever Handle:	Dacromet Coated Steel w/PVC Grip
Lever Nut:	Dacromet Coated Steel
Seats & Packing:	Virgin PFTE
O-Rings:	Viton
Readout Port Seal:	Nordel

Typical Specifications:

Furnish and install where indicated on plans **Terminator** integrated terminal unit accessory valves as provided by **Hydronic Components, Inc.** Valves shall be rated for 600 PSI WOG service, (1/2"-3/4") and 500 PSI WOG service (1"-2"). Valves shall be provided complete with 100% port isolation valve chrome plated ball and repackable blowout-proof triple seal stem, O-ring type union, and P/T port integrated into a common forged brass body.

JOB: _____ ENGINEER: _____
REP: _____ CONTRACTOR: _____

Hci

innovative hydronic components and accessories for the HVAC industry.
7243 Miller Dr. Suite 200 Warren, MI 48092 • Phone: 1-800-313-HVAC Fax: 1-866-340-0991