

# HCI Terminator BFV

LUGGED TYPE BUTTERFLY/SHUTOFF VALVE WITH POSITIONING HANDLE

MECHANICAL SPECIFICATIONS



The **Terminator BFV** by **HCI**, butterfly/shutoff valves meet the highest standards of performance. These valves are designed and tested in accordance with MSS SP-67 and API 609 & 598. Rigid adherence to tight quality control standards insure that all valves make the grade even in the most demanding services.

The **Terminator BFV** can be installed effectively in a vertical or horizontal pipeline. Valve bodies conform to both ANSI B16.5 150LB and ANSI B16.1 125LB Classes and come standard with positioning handle. Valves are bi-directional and suitable for dead end service up to 200 PSI. These valves are the perfect compliment to the incredibly high standard set forth by all the other **Terminator System** components.

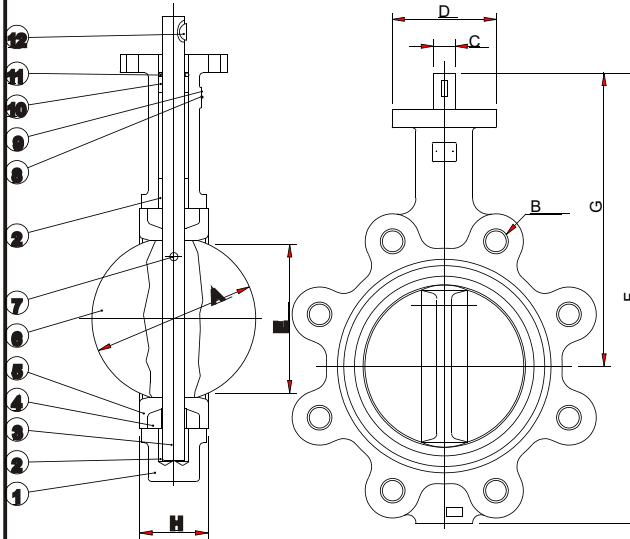
### Pressure/ Temperature Ratings:

2-1/2"-12": 200 PSI WOG Non - Shock  
All Sizes: 250 Deg. F. Maximum

### Optional Accessories:

- Flange to Groove Adaptors - Gear Operator

### Dimensional Information & Material Specifications:



Model #	Size	A	B	C	D	E	F	G	H	CV*
BF-GLL	2-1/2"	2.54	6.89	0.50	3.0	1.81	11.7	8.2	1.9	220
BF-HLL	3"	3.10	7.13	0.50	3.0	2.54	12.1	8.4	1.9	302
BF-ILL	4"	4.10	7.87	0.62	3.6	3.40	13.6	9.1	2.2	600
BF-JLL	6"	6.13	8.90	0.74	3.6	5.31	15.6	10.2	2.3	1579
BF-KLL	8"	7.97	10.24	0.87	4.5	7.57	18.9	12.0	2.5	3138
BF-LLL	10"	9.86	11.50	1.12	4.5	9.52	21.3	13.3	2.8	5340
BF-MLL	12"	11.87	13.27	1.24	5.5	11.49	24.6	15.0	3.2	8250

**Note:** The Cv factor is the flow rate, in GPM through the valve at a 1 PSID.

1. Valve Body:	Cast Iron ASTM A126 CLB
2. O-ring	EPDM
3. Stem:	Stainless Steel 416
4. Back Ring:	BUNA
5. Seat:	EPDM
6. Disc:	Stainless Steel 316
7. Taper Pin:	Stainless Steel 416
8. Rivet:	Steel
9. Name Plate:	Aluminum
10. Bushing:	PTFE
11. O-Ring:	EPDM
12. Woodruff Key:	Steel

### Typical Specifications:

Furnish and install where indicated on plans **Terminator BFV** terminal unit butterfly/shutoff valve as provided by **Hydronic Components, Inc.** Butterfly/shutoff valves shall be rated for 200 PSI WOG service. Valves shall be cast iron with 416 stainless steel shaft and 316 stainless steel disk, conforming to both ANSI B16.5 150LB and B16.1 125LB classes and come standard with positioning handle.

JOB: \_\_\_\_\_ ENGINEER: \_\_\_\_\_  
REP: \_\_\_\_\_ CONTRACTOR: \_\_\_\_\_

**HCI**

innovative hydronic components and accessories for the HVAC industry.  
7243 Miller Drive - Suite 200 - Warren, MI 48092 Phone: 1-800-313-HVAC Fax: 1-866-340-0991

HCI-23/1-08

This specification is provided for reference only. HCI reserves the right to change any portion of this specification without notice and without incurring obligation to make such changes to HCI products previously and subsequently sold.