



The **Terminator S** by **HCI** includes the **Terminator BFV** with the **Terminator Y**. Featuring a closed vessel with cleanable screen element designed to remove and retain foreign particles down to .062 inch diameter from various flowing fluids. The particles trapped may be saved or discarded as required by the process involved. The butterfly/shutoff valves meet the highest standards of performance. These valves are designed and tested in accordance with MSS SP-67 and API 609 & 598. Rigid adherence to tight quality control standards insure that all valves make the grade even in the most demanding services.

The **Terminator S** can be installed effectively in a vertical or horizontal pipeline, with the screen cleaned by opening an optional blowdown valve. The **Terminator S** comes packaged standard with butterfly/shutoff valve, 1/4" pressure/temperature readout port and features (3) additional accessory taps.

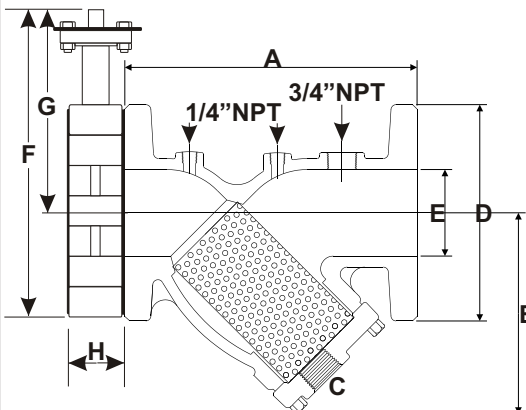
Pressure/ Temperature Ratings:

YS MODEL 2-1/2"-12": 200 PSI WOG Non - Shock
 All Sizes: 150 Deg. F. Maximum
 BF MODEL 2-1/2"-12": 200 PSI WOG Non - Shock
 All Sizes: 225 Deg. F. Maximum

Optional Accessories:

- Drain/Blowdown Valve
- Air Vent
- Schrader-Accessory Ext.
- Pressure/Temperature Gauges
- Pressure/Temperature Ports
- Gear Operator

Dimensional Information & Material Specifications:



125 lb. ANSI
2-1/2" - 12"

*Standard Screens:
 2" ~ 4" - 1/16" perforation
 6" ~ 8" - 1/8" perforation
 10" ~ 12" - 3/16" perforation



Model #	Size	A	B	C	D	E	F	G	H
TS-GLF	2-1/2"	10.000	6.50	1.00	7.00	2.50	11.65	8.15	1.87
TS-HLF	3"	10.125	7.00	1.00	7.50	3.00	12.13	8.39	1.93
TS-ILF	4"	12.125	8.25	1.50	9.00	4.00	13.62	9.13	2.15
TS-JLF	6"	18.500	13.50	2.00	11.00	6.00	15.63	10.16	2.31
TS-KLF	8"	21.625	15.50	2.00	13.50	8.00	18.90	12.01	2.50
TS-LLF	10"	26.000	18.50	2.00	16.00	10.00	21.26	13.27	2.76
TS-MLF	12"	29.875	21.75	2.00	19.00	12.00	24.57	15.04	3.15

YS MODEL Valve Body:	Cast Iron ASTM A126 CLB
Cover:	Cast Iron ASTM A126 CLB
Screen:	Stainless Steel AISI 304
Bolt:	Carbon Steel A307
Gasket:	Non-Asbestos
BFV MODEL Valve Body:	Cast Iron ASTM A126 CLB
Stem:	Stainless Steel 416
Seat:	EPDM
Disc:	Stainless Steel 316
Bearings:	PTFE

Typical Specifications:

Furnish and install where indicated on plans **Terminator S** terminal unit butterfly/shutoff valve strainer as provided by **Hydronic Components, Inc.** Butterfly/shutoff/strainers shall be rated for 200 PSI WOG service and shall be cast iron ASTM A126 CLB, 125 lb. ANSI with generously proportioned AISI 304 stainless steel screen guided and retained in both body and cover to insure proper alignment.

JOB: _____ ENGINEER: _____
 REP: _____ CONTRACTOR: _____