



The sensible alternative when handle clearance is a concern, this aluminum T-Handle insures stable operation in tight situations.

Also, can be used with ball valve handle extension making insulating a snap.

---

**Note:**

---

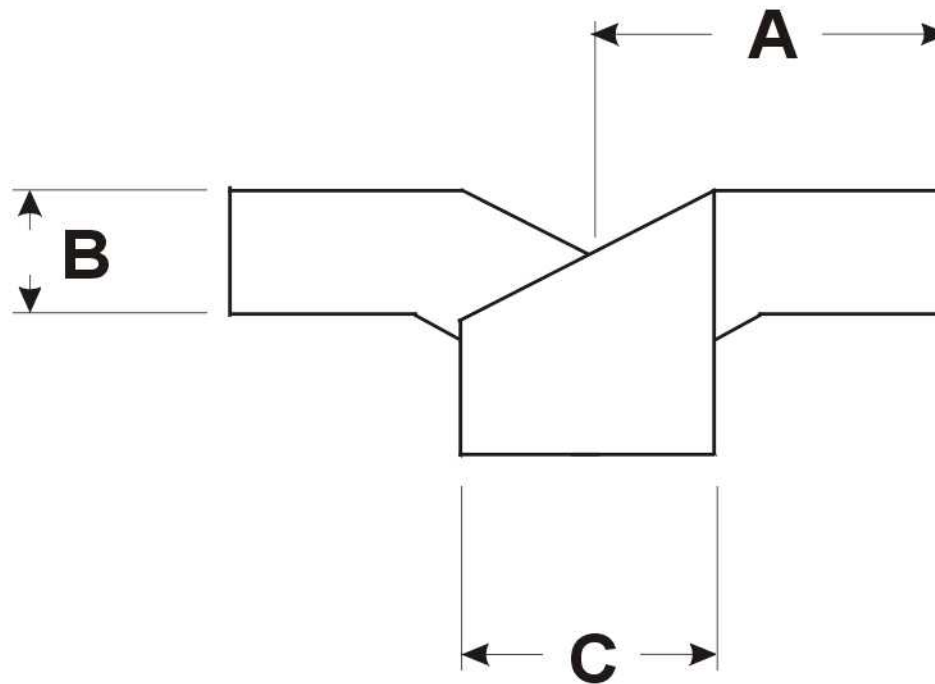
Can not be used in conjunction with ball valve memory stop.

---

**Dimensional Information & Material Specifications:**

---

Model #	A	B	C
H220-204	1.160	0.945	0.975
H220-205	1.275	1.100	1.032
H220-206	1.475	1.247	1.187
Handle:	Aluminum		
Screw:	Dacromet Coated Steel		




---

**Typical Specifications:**

---

Furnish and install where indicated on plans **Red Aluminum T-Handle** space optimizing accessory as provided by **Hydronic Components, Inc.**

JOB: \_\_\_\_\_ ENGINEER: \_\_\_\_\_  
 REP: \_\_\_\_\_ CONTRACTOR: \_\_\_\_\_