



The **H100/JP** by **HCI** is a 100% full port ball valve for use in complementing the **Terminator System** product line where integrated accessory features are not required. Like all **Terminator System** valves the **H100/JP** boasts a state of the art corrosion resistant forged brass body, TEA coated brass ball and triple seal stem protection which insures reliable, leak-free performance.

The **H100/JP** also features press fit ends for fast, reliable installation for direct mechanical connection to ASTM B88-Type K, L and M copper tubing in the hard drawn condition. The **H100/JP** is the perfect compliment to the incredibly high standard set forth by all the other **Terminator System Press** products.

Pressure/ Temperature Ratings:

1/2" - 2": 250 PSI WOG Non - Shock
All Sizes: 250 Deg. F. Maximum

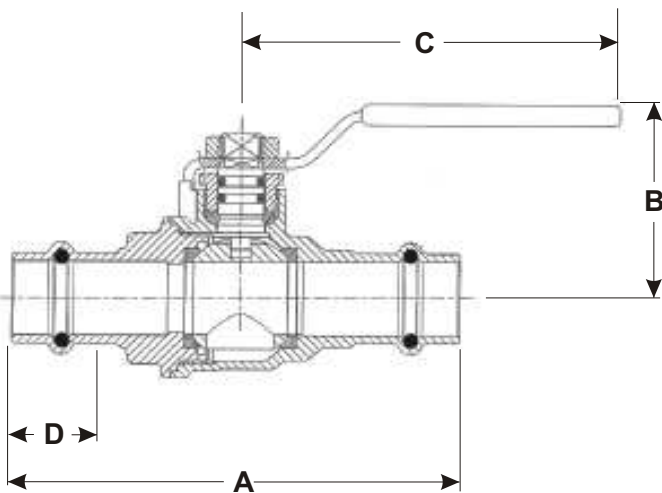
Optional Accessories:

- Handle Extension - Memory Stop - Red Aluminum T-Handle
- Stainless Steel Round Handle

Dimensional Information & Material Specifications:

Model #	Size	A	B	C	D	Cv*
H100-203	1/2"	3.54	1.53	2.95	1.24	20.25
H100-204	3/4"	3.84	1.92	3.74	1.28	20.25
H100-205	1"	4.31	2.40	4.72	1.38	41.83
H100-206	1-1/4"	4.805	2.59	4.72	1.30	41.83
H100-207	1-1/2"	5.61	3.22	5.90	1.50	78.38
H100-208	2"	7.16	3.50	5.90	2.01	78.38

Note: The Cv factor is the flow rate, in GPM through the valve at a 1 PSID.



Valve Body:	DZR Brass - CuZn36Pb2AsD
Ball:	Diamond Polished TEA Coated Brass
Stem:	DZR Brass - CuZn36Pb2AsD
Gland Nut:	DZR Brass - CuZn36Pb2AsD
Lever Handle:	Dacromet Coated Steel w/PVC Grip
Lever Nut:	Dacromet Coated Steel
Seats & Packing:	Hostafion-TFM 1600
Stem O-Rings:	Viton
Press O-Ring:	EPDM

← Direction of Flow →

Typical Specifications:

Furnish and install where indicated on plans **H100/JP** press x press ball valves as provided by **Hydronic Components, Inc.** Valves shall be rated for 250 PSI WOG 1/2"-2". Valves shall be provided complete with 100% port isolation, corrosion resistant brass and TEA coated brass ball with repackable blowout-proof triple seal stem.

JOB: _____ ENGINEER: _____
REP: _____ CONTRACTOR: _____