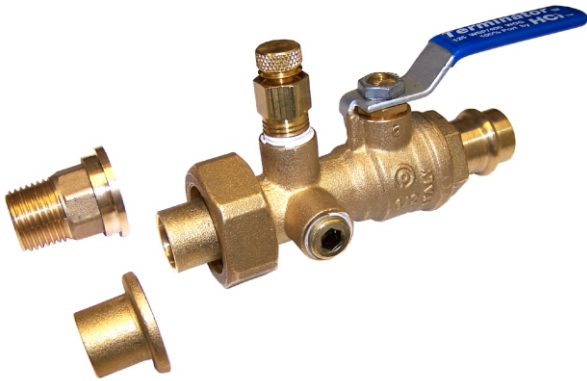


# HCI Terminator Press

INTEGRATED 100% PORT  
BALL VALVE/UNION/READOUT PORT

MECHANICAL  
SPECIFICATIONS



The **Terminator Press** by **HCI** combines the features of an isolation valve, union, and pressure/temperature readout port into a single unit. The full port design of the **Terminator Press** is favored by engineers because it minimizes terminal unit piping pressure drop, and the forged brass body insures reliable, leak-free performance.

The **Terminator Press** greatly simplifies the contractor's job by eliminating up to nine piping connections, thus saving time, money, and potential leak points. The **Terminator Press** requires only one third the space of the components it replaces, making tough piping jobs a snap. The **Terminator Press** is designed for direct mechanical connection to ASTM B88-Type K, L and M copper tubing in the hard drawn condition.

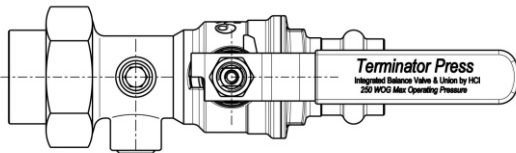
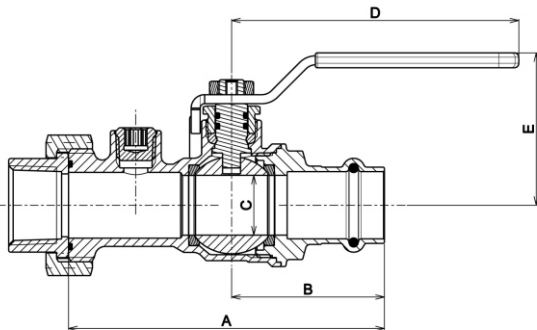
## Pressure/ Temperature Ratings:

250 WOG Max. Operating Pressure Non - Shock  
600 WOG Design Pressure Non - Shock  
All Sizes: 203 Deg. F. Maximum

## Optional Accessories:

- Drain Valve - Handle Extension - Air Vent - Memory Stop  
- PT/Port Accessory/Extension - Red Aluminum T-Handle  
Stainless Steel Round Handle - Flexible Hose Connectors

## Dimensional Information & Material Specifications:



← Direction of Flow →

Model #	Size	A	B	C	D	E	Cv*
NT-APF	1/2"	3.99	1.87	0.59	2.95	1.53	20.25
NT-APC	1/2"	3.99	1.87	0.59	2.95	1.53	20.25
NT-BPF	3/4"	4.14	2.00	0.78	3.74	1.93	41.83
NT-BPC	3/4"	4.14	2.00	0.78	3.74	1.93	41.83

1" - 2" Terminator Press available FNPT body with MIP x Press Adapter

**Note:** The Cv factor is the flow rate, in GPM through the valve at a 1 PSID.

## Connection Availability:

Body End:	Copper SWT	1/2" thru 3/4"
Tailpiece End:	Male NPT	1/2" thru 3/4"
	Copper SWT	1/2" thru 3/4"
Tailpiece End	Female NPT	1/2" thru 3/4"
	Male NPT	3/4"
W/One Size	Copper SWT	3/4"
Reduction:	Female NPT	3/4"

Valve Body:	Hot Forged Brass
Press Body Connection:	DZR Brass - CuZu36Pb2As
Ball:	Chrome Plated/Hot Forged Brass
Stem:	Extruded Brass
Union:	Hot Forged Brass
Tailpiece:	Hot Forged Brass
Readout Port Body & Cap:	Extruded Brass
Gland Nut:	Extruded Brass
Lever Handle:	Dacromet Coated Steel w/PVC Grip
Lever Nut:	Dacromet Coated Steel
Seats & Packing:	Virgin PTFE
O-Rings:	Viton
Press O-Ring:	EPDM
Readout Port Seal:	Nordel

## Typical Specifications:

Furnish and install where indicated on plans **Terminator Press** integrated terminal unit accessory valves as provided by **Hydronic Components, Inc.** Valves shall be rated for 250 PSI WOG service. Valves shall be provided complete with 100% port isolation valve chrome plated ball and repackable blowout-proof triple seal stem, O-ring type union, and P/T port integrated into a common forged brass body.

JOB: \_\_\_\_\_ ENGINEER: \_\_\_\_\_  
REP: \_\_\_\_\_ CONTRACTOR: \_\_\_\_\_

**HCI**

innovative hydronic components and accessories for the HVAC industry.

7243 Miller Drive - Suite 200 - Warren, MI 48092

Phone: 1-800-313-HVAC

Fax: 1-866-340-0991