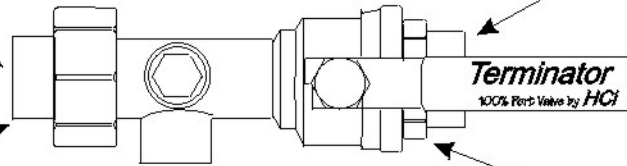


NEW TERMINATOR EX. PART # NT-BCF

FEMALE
NATIONAL
PIPE THREAD

COPPER SWT

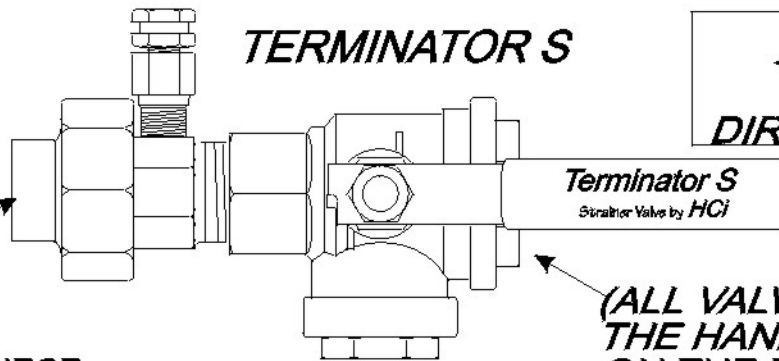


(ALL VALVES HAVE
A UNION NUT THAT
SECURES THE TAILPIECE
TO THE VALVE)



(ALL VALVES HAVE
THE HANDLE MOUNTED
ON THE BODY)

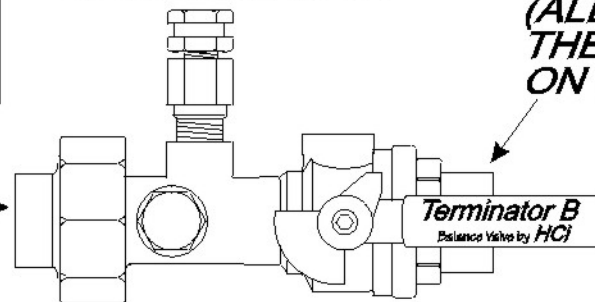
TERMINATOR S



(ALL VALVES HAVE
A UNION NUT THAT
SECURES THE TAILPIECE
TO THE VALVE)

(ALL VALVES HAVE
THE HANDLE MOUNTED
ON THE BODY)

TERMINATOR B

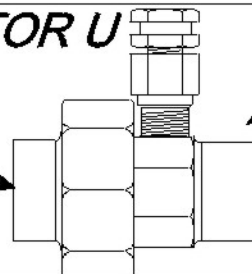


(ALL VALVES HAVE
THE HANDLE MOUNTED
ON THE BODY)

(ALL VALVES HAVE
A UNION NUT THAT
SECURES THE TAILPIECE
TO THE VALVE)

TERMINATOR U

(ALL UNIONS HAVE
A UNION NUT THAT
SECURES THE TAILPIECE
TO THE UNION)



Note: Detail shown as plain view and is not to scale.

DATE: APRIL 27, 2000