

HCI Terminator Press

INTEGRATED 100% PORT
BALL VALVE/UNION/READOUT PORT

MECHANICAL
SPECIFICATIONS



The **Terminator Press** by **HCI** combines the features of an isolation valve, union, and pressure/temperature readout port into a single unit. The full port design of the **Terminator Press** is favored by engineers because it minimizes terminal unit piping pressure drop, and the forged brass body insures reliable, leak-free performance.

The **Terminator Press** greatly simplifies the contractor's job by eliminating up to nine piping connections, thus saving time, money, and potential leak points. The **Terminator Press** requires only one third the space of the components it replaces, making tough piping jobs a snap. The **Terminator Press** is designed for direct mechanical connection to ASTM B88-Type K, L and M copper tubing in the hard drawn condition.

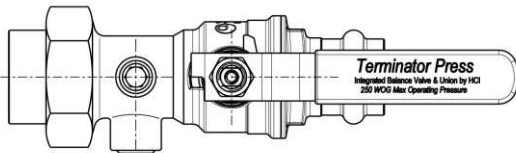
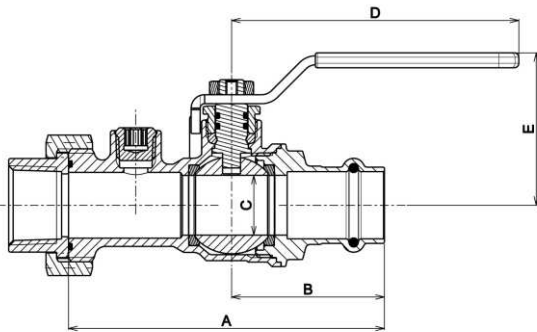
Pressure/ Temperature Ratings:

250 WOG Max. Operating Pressure Non - Shock
600 WOG Design Pressure Non - Shock
All Sizes: 203 Deg. F. Maximum

Optional Accessories:

- Drain Valve - Handle Extension - Air Vent - Memory Stop
- PT/Port Accessory/Extension - Red Aluminum T-Handle
Stainless Steel Round Handle - Flexible Hose Connectors

Dimensional Information & Material Specifications:



← Direction of Flow →

Model #	Size	A	B	C	D	E	Cv*
NT-APF	1/2"	3.99	1.87	0.59	2.95	1.53	20.25
NT-APC	1/2"	3.99	1.87	0.59	2.95	1.53	20.25
NT-BPF	3/4"	4.14	2.00	0.78	3.74	1.93	41.83
NT-BPC	3/4"	4.14	2.00	0.78	3.74	1.93	41.83

1" - 2" Terminator Press available FNPT body with MIP x Press Adapter

Note: The Cv factor is the flow rate, in GPM through the valve at a 1 PSID.

Connection Availability:

Body End:	Copper SWT	1/2" thru 3/4"
Tailpiece End:	Male NPT	1/2" thru 3/4"
	Copper SWT	1/2" thru 3/4"
Tailpiece End	Female NPT	1/2" thru 3/4"
	Male NPT	3/4"
W/One Size	Copper SWT	3/4"
Reduction:	Female NPT	3/4"

Valve Body:	Hot Forged Brass
Press Body Connection:	DZR Brass - CuZu36Pb2As
Ball:	Chrome Plated/Hot Forged Brass
Stem:	Extruded Brass
Union:	Hot Forged Brass
Tailpiece:	Hot Forged Brass
Readout Port Body & Cap:	Extruded Brass
Gland Nut:	Extruded Brass
Lever Handle:	Dacromet Coated Steel w/PVC Grip
Lever Nut:	Dacromet Coated Steel
Seats & Packing:	Virgin PTFE
O-Rings:	Viton
Press O-Ring:	EPDM
Readout Port Seal:	Nordel

Typical Specifications:

Furnish and install where indicated on plans **Terminator Press** integrated terminal unit accessory valves as provided by **Hydronic Components, Inc.** Valves shall be rated for 250 PSI WOG service. Valves shall be provided complete with 100% port isolation valve chrome plated ball and repackable blowout-proof triple seal stem, O-ring type union, and P/T port integrated into a common forged brass body.

JOB: _____ ENGINEER: _____
REP: _____ CONTRACTOR: _____

HCI

innovative hydronic components and accessories for the HVAC industry.
7243 Miller Drive - Suite 200 - Warren, MI 48092 Phone: 1-800-313-HVAC Fax: 1-866-340-0991

HCI-40/1-08

This specification is provided for reference only. HCI reserves the right to change any portion of this specification without notice and without incurring obligation to make such changes to HCI products previously and subsequently sold.